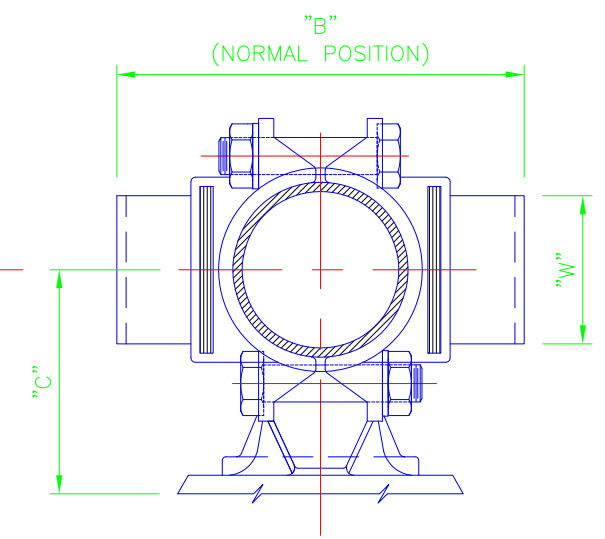
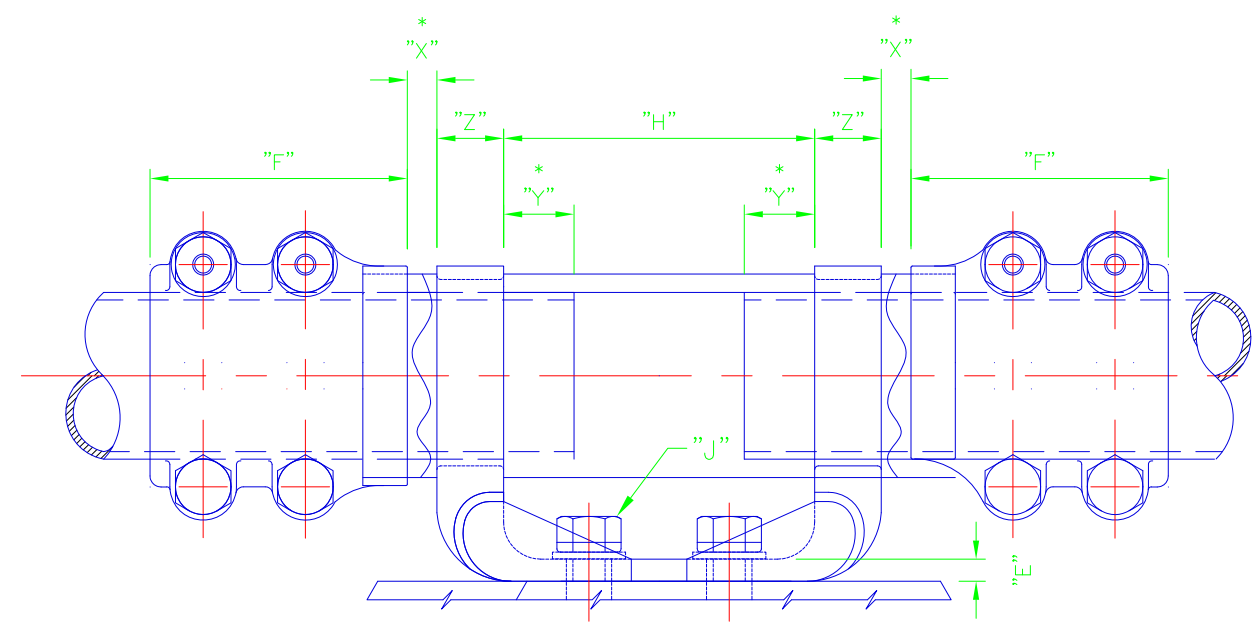


BASE DETAIL



NOTES:
1. * FOR INSTALLATION INSTRUCTION SEE ANDERSON DWG. *DC-6536

69379	04/24/2017	HG	HG	ANDERSON TOLERANCE CHART	HUBBELL® POWER SYSTEMS TITLE ALUMINUM BUS SUPPORT EXPANSION CONNECTOR	SIZE	DWG NO.	CAT / PART / ASSY NO.	REV
EC #	DATE	CHG BY	RESP ENG			C	CC-1364	AURF	17
DESC OF DWG: ADD PART NUMBER AURFH-30-5 TO TABLE.				CONFIDENTIAL: THIS DRAWING AND ITS CONTENTS ARE CONFIDENTIAL AND THE EXCLUSIVE PROPERTY OF HUBBELL POWER SYSTEMS. NO PUBLICATION, DISTRIBUTION OR COPIES MAY BE MADE WITHOUT THE WRITTEN CONSENT OF HUBBELL POWER SYSTEMS. HUBBELL POWER SYSTEMS UNPUBLISHED. ALL RIGHTS RESERVED UNDER THE COPYRIGHT LAWS.		DO NOT SCALE THIS DRAWING	DRN BY KDS	DATE 2-35-57	SHEET 1 OF 3

CF THIS SYMBOL IDENTIFIES CRITICAL FEATURES

NOTES:




1. TYPE AURF BUS SUPPORT IS AN EXPANSION CONNECTOR FOR ALUMINUM TUBE TO INSULATOR.
2. LAMINATED ALUMINUM STRAP.
3. MATERIAL: ALUMINUM ALLOY #356-T6.
4. HARDWARE: ALUM. ALLOY.
5. REGULARLY SUPPLIED WITH GALVANIZED STEEL CAP SCREWS, LOCKWASHERS AND FLATWASHERS FOR MOUNTING TO CAP OF INSULATOR. WHEN BASE MOUNTING IS REQUIRED, ADD "B" TO CATALOG NUMBER TO ASSURE OBTAINING BOLTS, NUTS, LOCKWASHERS AND FLATWASHERS: EXAMPLE: AURF-20-3-B.

3.000
BOLT
CIRCLE

CATALOG NUMBER	BUS SIZE IPS	DIMENSIONS IN INCHES													BUS LENGTH EACH SIDE
		A	B	C	D	E	F	Z	J	JJ	K	H	T	W	
AURF-06-3	3/4	15.250	11.000	2.000	4.250	.375	3.375	.750	.500	.500	.563 X .750	5.000	.250	1.500	40 FT.
AURF-10-3	1	17.000	11.000	2.000	4.250	.375	3.625	.750	.500	.500	.563 X .750	5.000	.313	1.500	40 FT.
AUR-12-3	1 1/4	16.000	11.500	2.250	4.250	.375	3.750	.750	.500	.500	.563 X .750	5.000	.281	2.000	40 FT.
AUR-14-3	1 1/2	16.500	11.313	2.500	4.250	.375	4.000	.750	.500	.500	.563 X .750	5.000	.375	2.000	40 FT.
AURF-20-3	2	16.813	11.875	2.750	4.250	.375	4.125	.750	.500	.500	.563 X .750	5.000	.438	2.000	40 FT.
AURF-24-3	2 1/2	17.500	12.500	3.125	4.250	.375	4.500	.750	.500	.625	.563 X .750	5.000	.375	3.000	40 FT.
AURF-30-3	3	17.750	13.875	3.625	4.250	.375	4.625	.813	.500	.625	.563 X .750	4.875	.500	3.000	40 FT.
AURF-34-3	3 1/2	18.250	14.250	4.000	4.250	.375	4.875	1.000	.500	.625	.563 X .750	4.500	.375	4.000	40 FT.
AURF-40-3	4	18.250	14.250	4.500	4.250	.375	4.875	1.000	.500	.625	.563 X .750	4.500	.500	4.000	40 FT.
AUR-50-3	5	20.813	16.563	4.875	4.250	.375	5.875	1.250	.500	.625	.563 X .750	4.500	.625	4.000	40 FT.
AURF-60-3	6	23.250	17.750	5.375	4.250	.375	6.875	1.500	.500	.625	.563 X .750	4.500	.750	4.000	40 FT.

5.000
BOLT
CIRCLE

CATALOG NUMBER	BUS SIZE IPS	DIMENSIONS IN INCHES													BUS LENGTH EACH SIDE
		A	B	C	D	E	F	Z	J	JJ	K	H	T	W	
AURF-06-5	3/4	18.375	11.000	2.250	6.250	.500	3.375	.750	.625	.500	.688 X .875	7.625	.250	1.500	80 FT.
AURF-10-5	1	18.875	11.000	2.250	6.250	.500	3.625	.750	.625	.500	.688 X .875	7.625	.313	1.500	80 FT.
AURF-12-5	1 1/4	19.125	11.500	2.375	6.250	.500	3.750	.750	.625	.500	.688 X .875	7.625	.281	2.000	80 FT.
AURF-14-5	1 1/2	19.500	13.250	2.500	6.250	.500	4.000	.750	.625	.500	.688 X .875	7.625	.375	2.000	80 FT.
AURF-20-5	2	19.875	13.250	2.750	6.250	.500	4.125	.750	.625	.500	.688 X .875	7.625	.375	2.000	80 FT.
AURF-24-5	2 1/2	20.875	13.500	3.125	6.250	.500	4.500	.750	.625	.625	.688 X .875	7.625	.375	3.000	80 FT.
AURF-30-5	3	20.875	17.250	3.125	6.250	.500	4.625	.813	.625	.625	.688 X .875	7.500	.500	3.000	80 FT.
AURF-34-5	3 1/2	21.375	15.000	4.000	6.250	.500	4.875	1.000	.625	.625	.688 X .875	7.125	.375	4.000	80 FT.
AURF-40-5	4	21.375	15.375	4.500	6.250	.500	4.875	1.250	.625	.625	.688 X .875	7.250	.500	4.000	80 FT.
AURF-50-5	5	23.375	17.000	4.875	6.250	.500	5.125	1.250	.625	.625	.688 X .875	6.875	.625	4.000	80 FT.
AURF-60-5	6	26.125	20.250	5.375	6.250	.500	6.875	1.500	.625	.625	.688 X .875	6.875	.750	4.000	80 FT.
AURF-80-5	8	31.500	19.625	6.375	6.250	.500	9.000	1.500	.625	.625	.688 X .875	7.625	1.125	4.000	80 FT.
AURF-300D-5	3 O.D.	20.875	17.250	3.125	6.250	.500	4.625	.813	.625	.625	.688 X .875	7.500	.500	3.000	80 FT.




69379	04/24/2017	HG	HG		
EC #	DATE	CHG BY	RESP ENG		
DESC OF DWG: SEE PAGE 1.				CONFIDENTIAL: THIS DRAWING AND ITS CONTENTS ARE CONFIDENTIAL AND THE EXCLUSIVE PROPERTY OF HUBBELL POWER SYSTEMS. NO PUBLICATION, DISTRIBUTION OR COPIES MAY BE MADE WITHOUT THE WRITTEN CONSENT OF HUBBELL POWER SYSTEMS. HUBBELL POWER SYSTEMS UNPUBLISHED. ALL RIGHTS RESERVED UNDER THE COPYRIGHT LAWS.	
REASON (S) FOR CHANGE: --				SIZE	DWG NO.
DISPOSITION OF MAT'L: --				C	CC-1364
				CAT / PART / ASSY NO.	REV
				AURF	17
				DO NOT SCALE THIS DRAWING	DRN BY KDS
				DATE 2-35-57	SHEET 2 OF 3
				 THIS SYMBOL IDENTIFIES CRITICAL FEATURES	

7.000
BOLT
CIRCLE

CATALOG NUMBER	BUS SIZE IPS	DIMENSIONS IN INCHES													BUS LENGTH EACH SIDE
		A	B	C	D	E	F	Z	J	JJ	K	H	T	W	
AURF-50-7	5	25.563	16.000	4.875	8.500	.500	5.875	1.000	.750	.625	.813 X 1.000	9.500	1.000	4.000	
AURF-40-7	4	24.438	16.688	4.500	8.500	.500	4.875	1.000	.750	.625	.813 X 1.000	9.500	.500	4.000	

CATALOG NUMBER	BUS SIZE IPS	DIMENSIONS IN INCHES													BUS LENGTH EACH SIDE
		A	B	C	D	E	F	Z	J	JJ	K	H	T	W	
* AURFH-40-5-BGE	4 EHIPS	32.500	22.500	4.500	6.250	.500	4.875	1.250	.625	.625	.688 X .875	14.000	.750	4.000	
** AURF-50-5-BGE	5	40.375	30.375	4.875	6.250	.500	5.875	1.250	.625	.625	.688 X .875	18.000	1.000	4.000	
*** AURF-50-5-BGE-5	5	28.750	20.188	4.875	6.250	.500	5.875	1.250	.625	.625	.688 X .875	10.000	.750	4.000	
*** AURFH-34-5-BGE	3 1/2 EHIPS	26.688	18.563	4.000	6.250	.500	4.844	1.250	.625	.625	.688 X .875	10.000	.500	4.000	
AURFH-60-5	6	27.813	18.500	5.375	6.250	.500	6.844	1.500	.625	.625	.688 X .875	7.625	.875	4.000	
AURF-40-5-5	4	23.938	17.000	5.000	6.250	.500	4.844	1.250	.625	.625	.688 X .875	7.250	.500	4.000	
AURFH-40-5	4 EHIPS	23.500	16.500	4.500	6.250	.500	4.875	1.250	.625	.625	.688 X .875	7.250	.625	4.000	
AURFH-50-5	5	23.375	17.000	4.875	6.250	.500	5.125	1.250	.625	.625	.688 X .875	6.875	.625	4.000	
AURFH-50-7	5	26.500	16.063	4.750	8.500	.500	5.875	1.000	.750	.625	.813 X 1.000	9.250	.750	4.000	
AURFH-30-3	3 EHIPS	17.750	14.375	3.625	4.250	.375	4.625	.813	.500	.625	.563 X .750	4.875	.750	3.000	
AURFH-30-5	3 EHIPS	20.875	15.250	3.125	6.250	.500	4.625	.813	.625	.625	.688 X .875	7.500	.563	3.000	

- * CONNECTOR IS DESIGNED FOR ±3.000" EXPANSION FOR EACH TUBE
- ** CONNECTOR IS DESIGNED FOR ±4.000" EXPANSION FOR EACH TUBE
- *** CONNECTOR IS DESIGNED FOR ±2.000" EXPANSION FOR EACH TUBE

69379	04/24/2017	HG	HG		
EC #	DATE	CHG BY	RESP ENG		
DESC OF DWG: SEE PAGE 1.				CONFIDENTIAL: THIS DRAWING AND ITS CONTENTS ARE CONFIDENTIAL AND THE EXCLUSIVE PROPERTY OF HUBBELL POWER SYSTEMS. NO PUBLICATION, DISTRIBUTION OR COPIES MAY BE MADE WITHOUT THE WRITTEN CONSENT OF HUBBELL POWER SYSTEMS. HUBBELL POWER SYSTEMS UNPUBLISHED. ALL RIGHTS RESERVED UNDER THE COPYRIGHT LAWS.	TITLE ALUMINUM BUS SUPPORT EXPANSION CONNECTOR
REASON (S) FOR CHANGE: -- DISPOSITION OF MAT'L: --					
				DO NOT SCALE THIS DRAWING	DRN BY KDS
				DATE 2-35-57	SHEET 3 OF 3
				 THIS SYMBOL IDENTIFIES CRITICAL FEATURES	